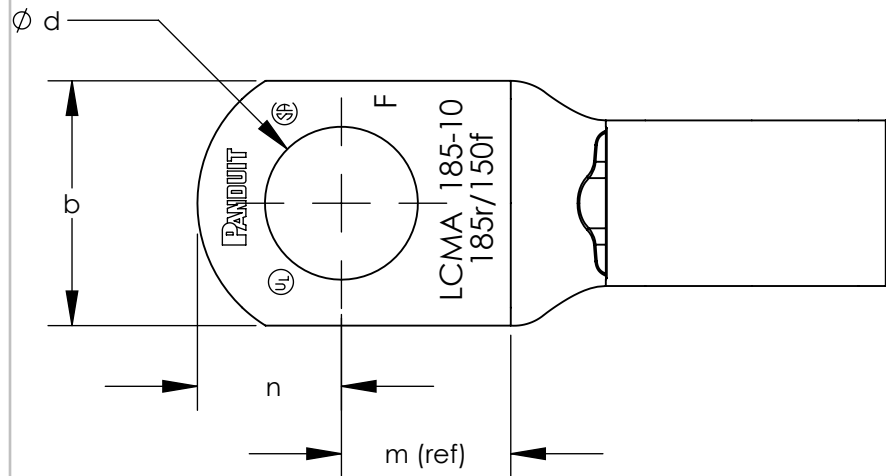


ALL DIMENSIONS ARE IN mm

Part Number	Class 2r Wire Size	Class 5f & 6f Wire Size	Stud Size	Wire Strip Length	Panduit Die Index No. For Class 2r Wire Circumferential Dies	Panduit Die Index No. For Class 5f & 6f Wire Circumferential Dies	Panduit Die Index No. For Class 5f & 6f Wire Nest/Indentor Dies	l ±2.76	o ±.50	i ±.50	a ±2.25	m (ref)	n ±2.25	d ±.50	b ±2.25	t
LCMA 185-10-X	185mm ²	150mm ²	M10	29.7	P76	----	P76/4	72.5	23.00	18.60	28.2	16.5	17.5	11.00	33.5	4.55 ± .50
LCMA 185-12-X	185mm ²	150mm ²	M12	29.7	P76	----	P76/4	72.5	23.00	18.60	28.2	16.5	17.5	14.00	33.5	4.55 ± .50
LCMA 185-16-X	185mm ²	150mm ²	M16	29.7	P76	----	P76/4	72.5	23.00	18.60	28.2	16.5	17.5	18.00	33.5	4.40 ± .50
LCMA 185-20-X	185mm ²	150mm ²	M20	29.7	P76	----	P76/4	77.0	23.00	18.60	28.2	21.0	17.5	22.00	33.5	4.40 ± .50
LCMA 240-10-X	240mm ²	185mm ²	M10	36.5	P87	----	P87/4	86.5	26.00	20.80	35.0	21.0	19.5	11.00	37.5	5.30 ± .50
LCMA 240-12-X	240mm ²	185mm ²	M12	36.5	P87	----	P87/4	86.5	26.00	20.80	35.0	21.0	19.5	14.00	37.5	5.30 ± .50
LCMA 240-16-X	240mm ²	185mm ²	M16	36.5	P87	----	P87/4	86.5	26.00	20.80	35.0	21.0	19.5	18.00	37.5	5.30 ± .50
LCMA 240-20-X	240mm ²	185mm ²	M20	36.5	P87	----	P87/4	86.5	26.00	20.80	35.0	21.0	19.5	22.00	37.5	5.20 ± .50
LCMA 300-10-5	300mm ²	240mm ²	M10	41.8	P94	----	P106/6	94.5	29.00	23.50	40.3	22.0	20.0	11.00	42.5	5.40 ± .55
LCMA 300-12-5	300mm ²	240mm ²	M12	41.8	P94	----	P106/6	94.5	29.00	23.50	40.3	25.0	20.0	14.00	42.5	5.40 ± .55
LCMA 300-16-5	300mm ²	240mm ²	M16	41.8	P94	----	P106/6	94.5	29.00	23.50	40.3	22.0	20.0	18.00	42.5	5.40 ± .55
LCMA 300-20-5	300mm ²	240mm ²	M20	41.8	P94	----	P106/6	94.5	29.00	23.50	40.3	22.0	20.0	22.00	42.5	5.30 ± .55
LCMAX300-10-5	----	300mm ²	M10	46.3	----	----	P32/6	108.0	33.00	26.20	44.8	26.5	23.5	11.00	48.0	6.70 ± .55
LCMAX300-12-5	----	300mm ²	M12	46.3	----	----	P32/6	107.0	33.00	26.20	44.8	26.5	23.5	14.00	48.0	6.70 ± .55
LCMAX300-16-5	----	300mm ²	M16	46.3	----	----	P32/6	107.0	33.00	26.20	44.8	26.5	23.5	18.00	48.0	6.70 ± .55
LCMAX300-20-5	----	300mm ²	M20	46.3	----	----	P32/6	107.0	33.00	26.20	44.8	26.5	23.5	22.00	48.0	6.70 ± .55
LCMA 400-12-5	400mm ²	----	M12	46.3	P106	----	----	107.0	34.50	27.00	44.8	26.5	23.5	14.00	49.5	7.50 ± .55
LCMA 400-16-5	400mm ²	----	M16	46.3	P106	----	----	107.0	34.50	27.00	44.8	26.5	23.5	18.00	49.5	7.50 ± .55
LCMA 400-20-5	400mm ²	----	M20	46.3	P106	----	----	107.0	34.50	27.00	44.8	26.5	23.5	22.00	49.5	7.50 ± .55
LCMA 500-12-1	500mm ²	----	M12	48.0	P125	----	----	121.0	40.00	31.00	46.5	28.5	25.5	14.00	57.5	8.90 ± .55
LCMA 500-16-1	500mm ²	----	M16	48.0	P125	----	----	121.0	40.00	31.00	46.5	28.5	25.5	18.00	57.5	8.90 ± .55
LCMA 500-20-1	500mm ²	----	M20	48.0	P125	----	----	121.0	40.00	31.00	46.5	28.5	25.5	22.00	57.5	8.90 ± .55
LCMA 630-16-1	630mm ²	----	M16	57.7	P125	----	----	132.0	44.00	34.50	56.2	28.5	27.5	18.00	63.0	9.40 ± .65
LCMA 630-20-1	630mm ²	----	M20	57.7	P125	----	----	132.0	44.00	34.50	56.2	28.5	27.5	22.00	63.0	9.40 ± .65



NOTES: 1. Material: High conductivity seamless copper tube.

2. Plating: Parts are annealed and tin plated.

3. Wire Type: Class 2r, 5f & 6f Stranded Copper per DIN VDE 0295, IEC 60228 and HD 383.

4. UL Listed Wire Connector: Yes, for applications up to 35kv.
Consult cable manufacturer for voltage stress relief instructions with applications greater than 2000 volts.

5. UL Temperature Rating: 90° C

6. C.S.A. Certified Wire Connector: Yes

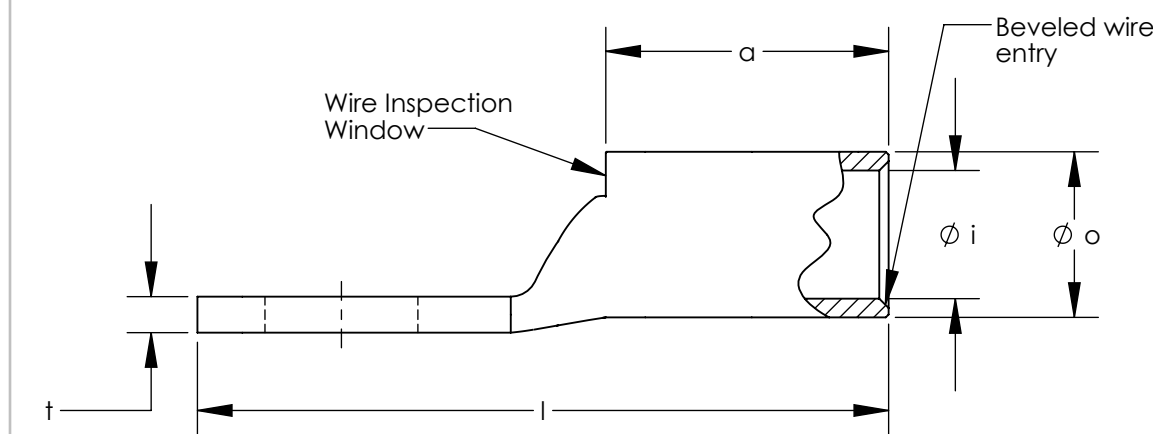
7. Parts are CE and tested per EN 61238-1:2003/IEC 61238-1:2003 Class B, with Class 2r wire 185mm² - 240mm².



LISTED Wire Connector



CERTIFIED



REV	DATE	BY	CHK	APR	DESCRIPTION	ECN
01	6/14	JHNU	TLCO	RGB	REVISED I DIM: LCMAX300-10 WAS 107.0, LCMA500 PARTS WERE 120.0, LCMA630 PARTS WERE 131.0 REVISED m DIM: LCMA300-12 WAS 22.0	13J059BG-JC
00	4/14	JHNU	TLCO	RGB	DRAWING RELEASED	

TITLE METRIC LUGS - LCMA ONE HOLE SERIES 185-630mm STANDARD BARREL CUSTOMER DRAWING			
ITEM REVISION NAME 12J059BG/01		DATASET FILE NAME 12J059BG-JC/01.SLDDRW	
UNLESS OTHERWISE SPECIFIED, DIMENSIONAL TOLERANCES ARE: IN [mm]			
.X ±	.XXX ±	MATERIAL SEE NOTES	
.XX ±	ANGLES ±	DRAWING NUMBER 12J059BG-JC	
DRAWN BY JHNU		DATE 12/13	CHK TLCO
SCALE NONE		THIRD ANGLE PROJECTION	
SHEET 1 OF 1		SIZE B	